

Specifications



PERFORMANCE

Working height, max.	24,00 m
Horizontal outreach with 250 kg	12,00 m
Up-and-over clearance, max.	12,70 m
Basket capacity	250 kg
Movable jib	-
Basket rotation	180°
Turret rotation	450°
To be jacked up on ground slope of	16,7°/30,0 %
Height and width track adjustment	19/46 cm
Gradeability, max.	16,7°/30,0 %
Slope angle	19,0°/34,0 %
Travel speed	4,0 km/h

MEASUREMENTS

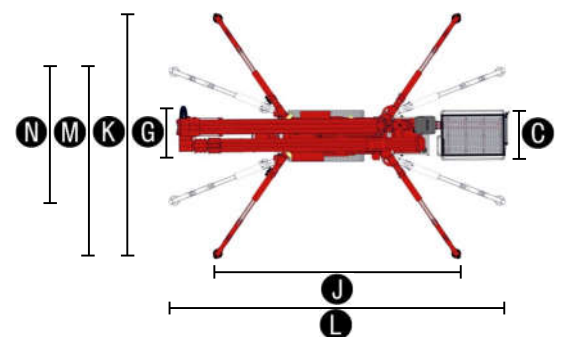
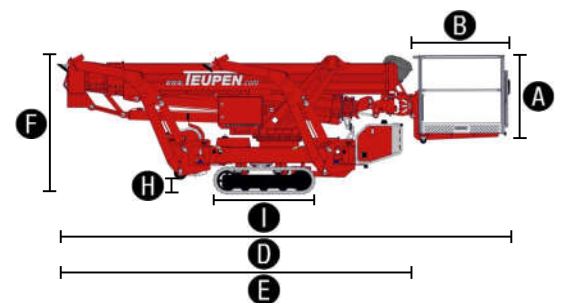
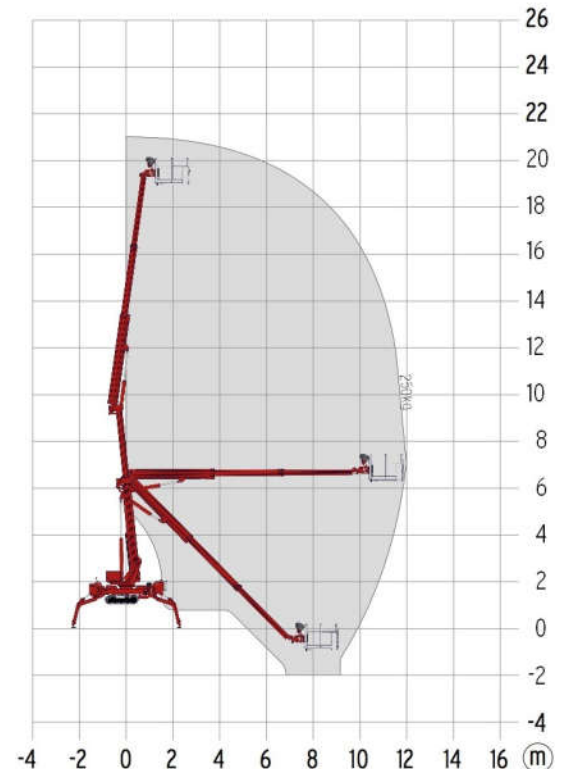
Platform height (A)	1,10 m
Platform length (B)	1,20 m
Platform width (C)	0,80 m
Length, overall (D)	6,40 m
Length without basket (E)	5,05 m
Height, travel position (F)	1,99 m
Width, minimal overall width (G)	0,99 m
Ground clearance, max. (H)	0,44 m
Track (L x W) (I)	1,45 m x 0,20 m
Length outrigger footprint standard (J)	4,70 m
Width outrigger footprint standard (K)	4,70 m
Length footprint one side narrow (L)	6,30 m
Width footprint one side narrow (M)	3,65 m
Width footprint both sides narrow (N)	2,65 m
Outrigger plate Ø	0,18 m

WEIGHT

Total weight	3300 kg
Live load in travelling position	5,06 kN/m ²
Live load in working position	1,72 kN/m ²
Point load per outrigger plate, max.	23,70 kN

POWER

Standard power sources (electric and combustion engine)	1) Electric: 230 V, 12,9 A, 2,2 kW 2) Petrol: Vanguard OHV 16 HP (11,93 kW/16 hp)
Optional power sources	1) Diesel: Kubota Z 602 (10,8 kW/14,5 hp) 2) Li-Ion Battery: 48 V
Fuel tank capacity petrol engine	11,5 l
Fuel tank capacity Diesel engine	11,5 l



STANDARDS COMPLIANCE

2006/42/EC—Machinery directive
 (Harmonised standard EN280:2014); 2004/108/EC (EMC);
 2000/14/EC (Noise emission directive – outdoor)

Features



CHASSIS

- Powerful track drive with hydraulic braking system
- Precise maneuvering over sensitive electrohydraulic cable remote control
- Indoor non marking rubber track, with less tread depth the profile enables smooth travelling.
- Mechanically height- and width-adjustable track chassis

STABILISATION

- Fully-hydraulic, automatic levelling system with outrigger setup monitoring
- Variable outriggerr system with one-side or both-sides narrow setup option
- Wear resistant, anti-friction PVC outrigger feet

BOOM SYSTEM

- Telescoping upper- and lower booms, special profiles made of high-strength steel
- All functions are available from one control panel
- Electric-proportional controls with intuitive operator guidance
- Robust, lockable control panel with integrated operation and display function
- Self-levelling platform with electro-hydraulic levelling system
- Corner-mounted, 180° turnable basket for extra flexibility
- Boom rotation via high-performance slew ring, worm gear and hydraulic motor

POWER

- 230 V electric motor (EU)
- Vanguard OHP 16 HP petrol engine (11,93 kW/16 hp)
- Start-Stop switch of combustion engine in the basket

PRODUCTIVITY, SAFETY, QUALITY

- 230 V (EU) power outlet in the basket
- Modular basket with eyelets for safety belts and tool tray
- High-quality paint in RAL 3020 (red)
- Hydraulic emergency lowering via hand pump
- Cables and hoses are safely routed through the boom structure
- Biodegradable hydraulic oil
- Lock valves - hydraulic return valves directly on all hydraulic cylinders
- Relief valves protecting the hydraulic system from too high pressures
- Protective covers for oil-tank, emergency controls and connecting cables and hoses
- Hour meter
- Complete second control box on the chassis and error analysis with display
- Fuzzy IV control technology

OPTIONS

- Kubota Z602 Diesel engine (10,8 kW/14,5 hp) instead of petrol engine
- Li-Ion battery drive 48 V instead of petrol engine
- Custom paintwork, one colour, according to RAL scheme (except metallic coatings, signal- or special colors)
- Custom paintwork, two colours, according to RAL scheme (except metallic coatings, signal- or special colors)
- Hydraulically height- und width-adjustable track chassis instead of the mechanically adjustable track chassis
- Radio remote control
- White, non-marking rubber tracks with specially arranged profile providing optimum grip

ACCESSORIES

- Safety harness
- Outrigger pad (450 x 400 x 40 mm)
- Lockable storage frame for outrigger pads
- 4 outrigger/sliding pads (700 x 220 x 60 mm)
- Track mat (2000 x 800 x 15 mm) fits exactly into transport frame
- 2 protective track covers, made of high-quality polypropylene fabric
- Lifting device (300 kg load capacity).
This option can only be ordered in combination with the automatic boom function cut off.
- 4 covers on piston rod (outrigger/stabiliser) cylinders (additional weight: 10 kg)
- 2 LED headlights 10-30 V on engine unit
- Treecare package, consisting of:
 - Protective cover over control box
 - Covers on piston rod (outrigger/stabiliser) cylinders
- Coming Home Function
- Automatic boom function cut off by a monitoring system of the access stair locking system.
- Electric emergency lowering (additional weight: 16 kg)

SUBFRAME

- Subframe for truck Mitsubishi Canter (Total weight 450 kg)

CONTACT

Teupen Maschinenbau GmbH
Marie-Curie-Str. 13
48599 Gronau
Germany

phone +49 (0) 2562 8161-0
fax +49 (0) 2562 8161-888
mail@teupen.com

Version 2016-B. Product specifications are subject to change without notice or obligation. Photographs and drawings in this document are for illustrative purposes only. Refer to the appropriate Operator's Manual for instructions on the proper use of this equipment. Failure to follow the appropriate Operator's Manual when using our equipment or to otherwise act irresponsibly may result in serious injury or death. The only warranty applicable to our equipment is the standard written warranty applicable to the particular product and sale and we make no other warranty, expressed or implied. Products and services listed may be trademarks, service marks or trade-names of Teupen Maschinenbau GmbH and/or its subsidiaries in the U.S.A. and many other countries. "Teupen", "Access redefined" and "LEO Series" are registered Trademarks of Teupen GmbH in the United States of America and many other countries. © 2016 Teupen Maschinenbau GmbH.

