

800 SERIES

TELESCOPIC BOOM LIFTS



Performance

Platform Height—Elevated		
800S	80 ft	24.38 m
860SJ	86 ft	26.21 m
Horizontal Outreach		
800S	71 ft	21.64 m
860SJ	75 ft	22.86 m
Swing	360° Continuous	
Platform Capacity—		
Restricted (800S)	1,000 lb	454 kg
Restricted (860SJ)	750 lb	340 kg
Platform Capacity -		
Unrestricted	500 lb	227 kg
Platform Rotator	180° Hydraulic	
Jib Range of Articulation		
860SJ	130°	+70, -60
Jib Length		
860SJ	6 ft	1.83 m
Weight* (Platform Empty)		
800S	33,030 lb	14,982 kg
860SJ	36,230 lb	16,433 kg
Max. Ground Bearing Pressure**		
800S	72 psi	5.06 kg/cm ²
860SJ	81 psi	5.7 kg/cm ²
Drive Speed	3.5 mph	5.6 kmph
Gradeability 2WD	30%	
Gradeability 4WD	45%	
Turning Radius		
Inside	12.5 ft	3.8 m
Outside	19.75 ft	6.02 m

*Certain options or country standards increase weight.

**Ground bearing pressure applies to standard tires.

Specifications may change to meet country standards or with addition of optional equipment.

Standard Specifications

Engine

Type	Liquid Cooled (Oil)	
Diesel Engine	Deutz D2011L04	
	61.6 hp	46 kW
Fuel Tank Capacity	31 gal	117 L

Hydraulic Tank (to Full Line on Sight Gauge)

Capacity	21 gal	79.5 L
Auxiliary Power	12V DC	

Tires

15 - 625 Rim Protector Lug Tread Tires



Standard Features

- 6 ft (1.83 m) Articulating Jib (860SJ)
- Platform: 36 x 96 in. (0.91 x 2.44 m) Side Entry
- Dual-Rated Capacities
- Oscillating Axle
- 180 Degree Hydraulic Platform Rotator
- 110V-AC Receptacle in the Platform
- Tilt Light and Alarm
- Swing-Out Engine Tray
- 12V DC Auxiliary Power
- Hourmeter
- Control ADE® System
- Proportional Controls
- Gull-Wing Engine Hood
- Hydrostatic Drive
- Platform Console Machine Status Light Panel*
- Tie Down Lugs
- Engine Distress Warning
- 15-625 Rim Protector Lug Tread Tires
- Engine Distress Shutdown - Selectable via Analyzer
- Fuel Gauge
- Telematics-Ready Harness
- All Motion Alarm
- Glow Plugs (Diesel Engine)
- SkyGuard™

* Provides indicator lights at platform control console for system distress, fuel level, low fuel, 5 degree tilt light and foot switch status.

Accessories & Options

- 36 x 72 in. (0.91 x 1.83 m) Platform
- Inward Self-Closing Swing Gate
- Fall Arrest Platform 0.91 x 2.44 m¹
- Mesh to Top Rail Bolt-on Aluminum 6 ft
- Mesh to Top Rail Bolt-on Aluminum 8 ft
- Light Package²
- Soft Touch System 8ft (requires 15-625 foam filled tires)
- 15-625 Foam-Filled Tires
- 18-625 Foam-Filled Tires
- Tow Package
- Cold Weather Start Kit³
- Hostile Environment Kit⁴
- Platform Worklights
- Flashing Amber Beacon
- Lifting Lugs
- Tool Tray
- 1/2 in. Airline to Platform
- Arctic Package⁵
- Special Hydraulic Oils
- Load Sensor System (LSS)
- Oil Cooler

1. Foam-filled tires required. Includes head and tail lights, and platform worklights.

2. Includes head and tail lights, and platform worklights.

3. Includes engine block heater, battery heater and oil tank heater.

4. Console cover, boom wipers and cylinder bellows.

5. Includes arctic hydraulic hoses (drive and steer only) and main boom cable, extreme cold engine oil, fuel conditioner, engine block heater, battery blanket, glow plugs, hydraulic tank heater, oversized footswitch and arctic hydraulic oil.

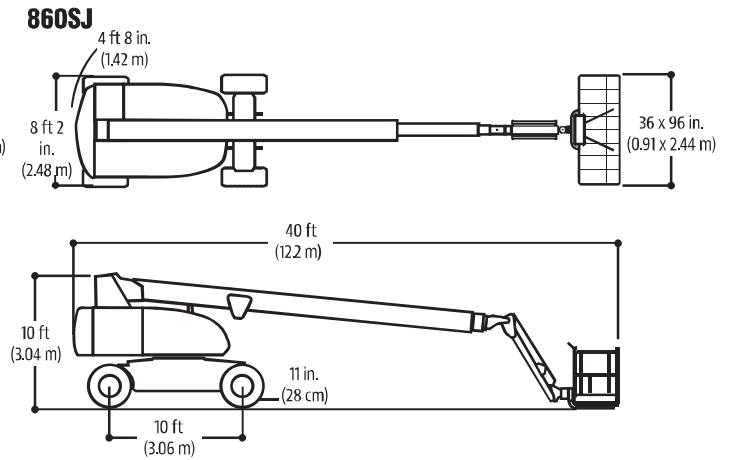
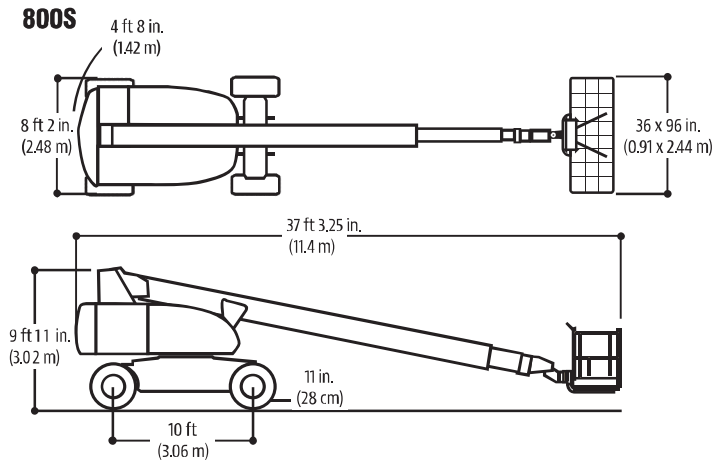
800 SERIES

TELESCOPIC BOOM LIFTS

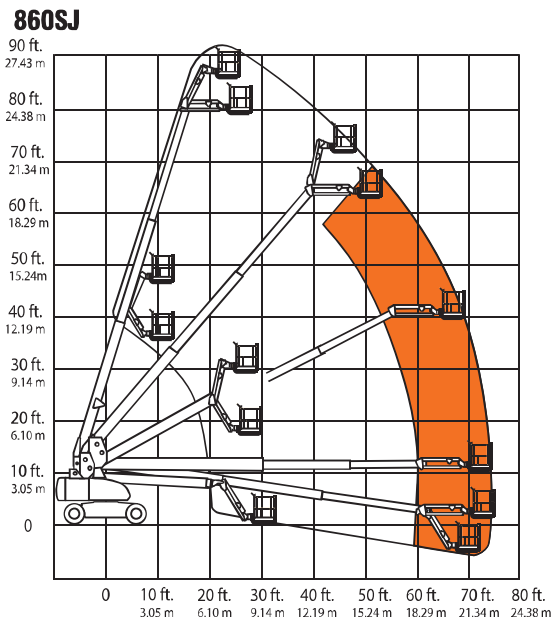
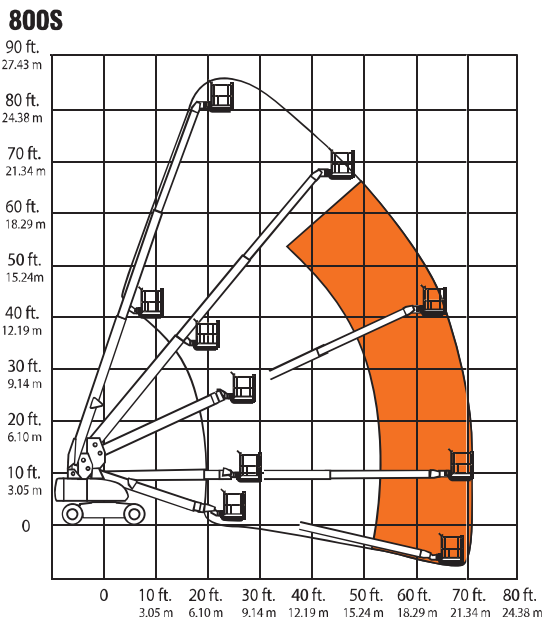


Dimensions

All dimensions are approximate.



Reach Diagrams



The JLG "1 & 5" Warranty

JLG Industries, Inc. backs its products with its exclusive "1 & 5" Warranty. We provide coverage on all products for one (1) full year, and cover all specified major structural components for five (5) years. Due to continuous product improvements, we reserve the right to make specification and/or equipment changes without prior notification. This machine meets or exceeds applicable OSHA Regulations in 29 CFR 1910.67, 29 CFR 1926.453, ANSI A92.5-2006, and CSA Standard CAN3-B354.2-M82, as originally manufactured for intended applications.

U-MAC VIETNAM CO., LTD
 17th Floor, Icon 4 Tower, 243A De La
 Thanh Street, Dong Da District, Hanoi
 Telephone +84 24 3773 3704/3703
 Email info@umac.com.vn
www.umac.com.vn
**The Official Distributor
 of JLG in Vietnam**
 Date of update: 20/09/2018

JLG Industries, Inc.
 1 JLG Drive
 McConnellsburg, PA 17233-9533
 Telephone 717-485-5161
 Toll-free in US 877-JLG-LIFT
 Fax 717-485-6417
www.jlg.com
An Oshkosh Corporation Company